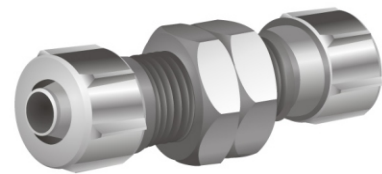
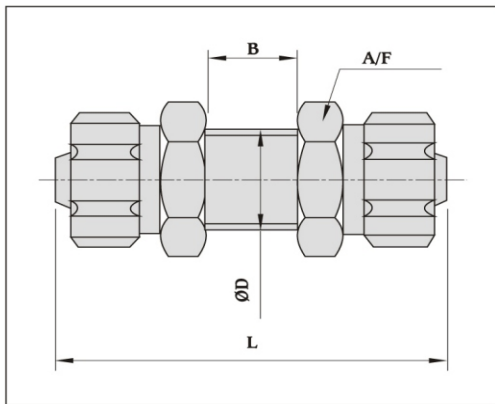


Bulkhead Connectors (BHC)



Basic Dimensions

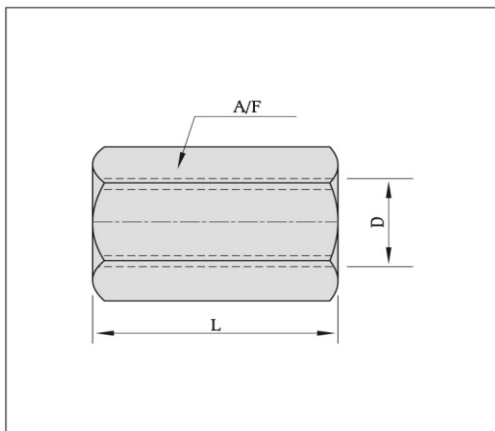


Material : Aluminium
Finish : Blue anodised

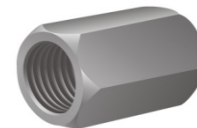
Order code No. and type	Tube ID in mm	Nominal Bore in mm	Dimensions			
			B mm	D mm	L mm	A/F
BHC PU - 3	3	2.4	8.0	M6 x 0.75	34.0	10 mm
BHC PU - 4	4	3.4	9.5	M10 x 1.00	47.0	14 mm
BHC PU - 6	6	5.3	10.5	M12 x 1.00	47.0	17 mm
BHC PU - 8	8	7.0	7.0	M14 x 1.00	58.0	19 mm
BHC PU - 9	9	8.0	4.5	M16 x 1.00	58.0	22 mm
BHC PU - 13	13	12.0	5.0	M22 x 1.00	61.5	27 mm

Sockets (SKT)

Basic Dimensions



Material : Aluminium
Finish : Blue anodised



Order code No. and type	Dimensions		
	D	L mm	A/F
SKT - 1/8" BSP	1/8" BSP	25	1/2"
SKT - 1/4" BSP	1/4" BSP	25	5/8"
SKT - 3/8" BSP	3/8" BSP	25	3/4"
SKT - 1/2" BSP	1/2" BSP	25	1"

Technical changes reserved

