

## Non Return Valve

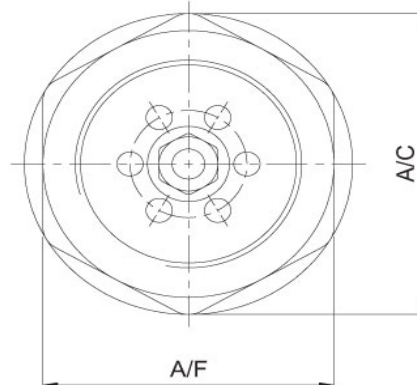
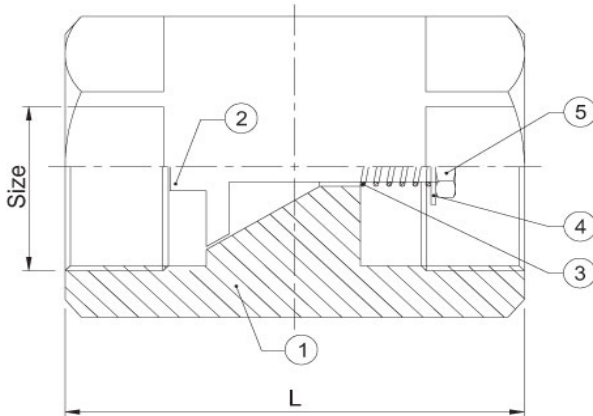
### High Pressure Universal Mounting Design



Size Range : 1/2" to 2" [Female BSP / NPT ]

#### Technical Specifications :

Body	CF8 / CF8M
Valve Pin	S.S. 304 / S.S. 316
Spring	S.S. 304
'O' Ring	Viton
Ends	Screwed
Size	1/2" to 2"
Leakage test	Buble tight
Pressure	3000 PSI
Temperature	100 °C (High Temperature available)
Media	Air, Water, Oil & Gas



Sr. No.	Description
1	Body
2	Valve Pin
3	Spring
4	Washer
5	Nut

#### Dimensions :

(All dimensions are in MM)

Valve Model	Size	L	A/F	A/C	Weight
HNRV - 15	1/2" BSP	60	27	30	0.190
HNRV - 20	3/4" BSP	65	35	38	0.350
HNRV - 25	1" BSP	70	41	45	0.510
HNRV - 32	1.1/4" BSP	73	48	51	0.610
HNRV - 40	1.1/2" BSP	80.25	58.5	65	1.130
HNRV - 50	2" BSP	94.75	68	72	1.510



**aira** *EURO* automation pvt. ltd.

ISO 9001:2000 Certificated Co.

Ahmedabad - 382 405

[www.airaindia.com](http://www.airaindia.com)

AVAILABLE AT

n HPEV December 20009 3K