

Medium Pressure Needle Valve

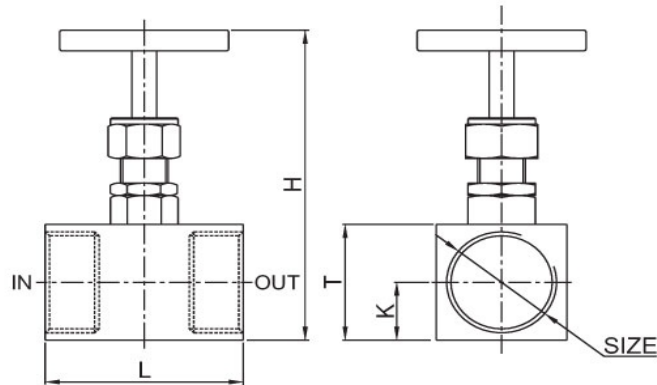
350 kg/cm² (5000 PSI)



Size Range : 1/4" to 2" Screwed [Female BSP / NPT]

Technical Specification :

Body & Bonnet	CF8 / CF8M
Seals	PTFE
Pressure	350 Kg/cm ² (5000 PSI)
Temperature Range	200 °C
Leakage	Bubble Tight
Ends	Screwed (F) to BSP (NPT On Request)
Media	Air, Water, Oil & Gas



Dimensions : (All dimensions are in MM)

Valve Model	Size	H	L	K	T	Weight Approx
HNV-MP-II-6	1/4"	110	54	13.75	28	0.345
HNV-MP-II-10	3/8"	110	54	13.75	28	0.360
HNV-MP-II-15	1/2"	110	65	15	28	0.415
HNV-MP-II-20	3/4"	130	70	18	36	0.720
HNV-MP-II-25	1"	134	75	20.5	41	0.940
HNV-MP-II-40	1.1/2"	175	90	29	58	-

High Pressure Needle Valve

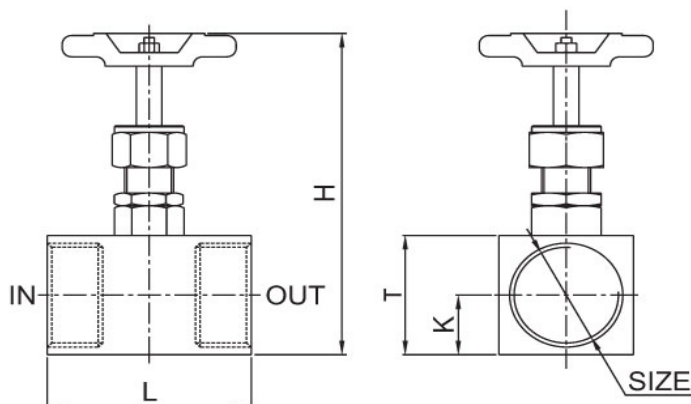
700 Kg/cm² (10000 PSI)



Size Range : 1/4" to 2" Screwed [Female BSP / NPT]

Technical Specification :

Body	Forged S.S. 304 / S.S. 316
Seals	Grafoil / Metal
Pressure	700 Kg/cm ² (10000 PSI)
Temperature Range	360 °C
Leakage	Bubble Tight
Ends	Screwed (F) to BSP (NPT On Request)
Media	Air, Water, Oil & Gas



Dimensions : (All dimensions are in MM)

Valve Model	Size	H	L	K	T	Weight Approx
HNV-HP-I-6	1/4"	116	65	13.75	27.5	0.570
HNV-HP-I-10	3/8"	127	65	15	30	0.540
HNV-HP-I-15	1/2"	136	70	16	32	0.700
HNV-HP-I-20	3/4"	145	75	18.5	37	0.830
HNV-HP-I-25	1"	157	75	21	42	1.170
HNV-HP-I-40	1.1/4"	170	90	27	54	1.900
HNV-HP-I-50	1.1/2"	180	100	30	60	2.700