



EWAI

V A L V E S

BUTTERFLY VALVE



- 100% Hydrostatically Tested
- Mark Specification IS : 13095
- 18 months full replacement guarantee against manufacturing defect.
- Available in PN 16
- Available in 40mm to 300mm size
- Available in Hand Lever Type & Gear Type
- Suitable for numerous applications like water, thermal plants, hydel projects, fire fighting, pumping stations, agriculture, sugar industry, mines etc.

FOR INDUSTRIAL USE

BUTTERFLYVALVE

EWAI Butterfly Valves Wafer Type as per IS:13095 Class 125, is a result of continuous R&D done at our works. Thus the result is a quality valve with features like:



Product Detail:

Tight shut off type, Manual Operated with integrally moulded liner to give accuracy, compatible with flanges to BS 10 Table D, E & F.

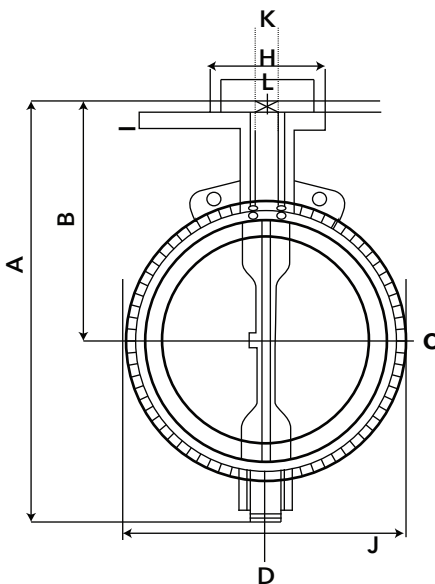
Pressure Rating:

PN16 Hyd. upto temp. range 10°C to 65°C

Hyd. Testing:

Body - 2.4 MPa
Seat - 1.8 MPa

Material Chart:



PART No.	PART NAME	MATERIAL	SPECIFICATION
1.	Body	Cast Iron	IS:210 Grade FG 200
2.	Disc Seating	SG Iron	ASTMA 370 400/15
3.	Liner	Rubber	EPDM/Nitrile
4.	Upper & Lower Stem	S.S.	AISI 410
5.	Brushing	Teflon	PTFE
6.	'O' Rings	Rubber	High Nitrile
7.	Handle	M.S.	-----
8.	Locking Plate	M.S.	-----
9.	Bolting	C.S.	-----
10.	Gear Unit	-----	Standard Gear

Dimensions of Butterfly Valves:

Nominal Dia	1½"	2"	2½"	3"	4"	5"	6"
Dia	40mm	50mm	65mm	80mm	100mm	125mm	150mm
A	203	214	243	259	300	339	357
B	145	153	175	181	209	222	237
C	38	49	63	75	101	124	148
D±1	26	28	28	28	28	36	36
H	67	67	67	67	67	95	95
I	15	15	16	16	16	16	16
J	78	94	106	122	148	180	203
K	12	14	14	14	14	18	18
L (PCD)	50	50	50	50	50	57.5	57.5
Face to Face ±1.5	37	47	50	50	56	60	60