

"aira" offers **HIGH FLOW Diaphragm type solenoid valves, are specially engineered in the construction of Investment Cast CF8 / CF8M / CF3M body with S.S. Short for multiple and long lasting operations.**

**Types :**

1. Normally close - Energised to Open
2. Normally Open - Energised to Close

**Application :** Air, Water, Light Oil, Gas, Light Chemical

**Size Range : 1/4" To 6" Screwed / Flanged / Triclover**

"aira" solenoid valves are the best for the inflammable media / environment. The Flameproof / Explosion proof solenoid coils are available in such application.

**Technical Specifications :**

Body & Cover	ASTM A351 Gr. CF8 / CF8M / CF3M
Seals / Diaphragm	Nitrile / Neoprene (optional - silicon, viton & other)
Pressure Range	0.5 to 10 bar
Temperature Range	-5° C to 85° C (On Request upto 95° C)
Coil Voltage	12V, 24V, 48V, 110V, 230V, AC/DC
Coil Insulation	'F' Class
Coil Rating	Continuous Rated



**Applications :**

Textile Processing Machinery, Chemical Plants, Water Treatment, Sugar Machinery, Cement Machinery, Pumps, Irrigation, Combustion Equipment, Heat Exchanger, Air Dryer, Pollution Controls, Laundry Equipments and where dependable ON/OFF type control is required.

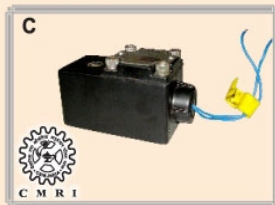
**Solenoid Coil**



(for General)

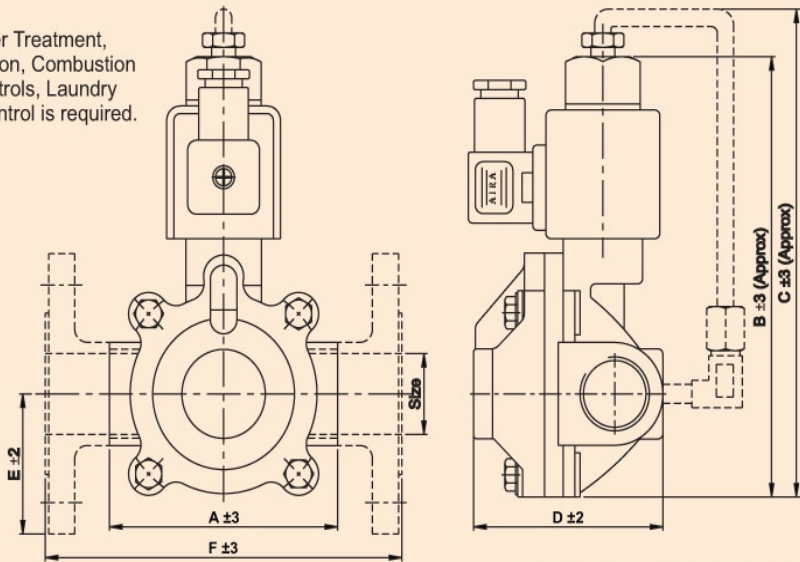


IP - 65 & IS:2147  
(for Weather Proof)



Explosion & flame proof solenoid available on request.

[As per IS / IEC 60079-1 standard approved by Central Mining Research Institute (CMRI)]



**Dimensions :**

(All Dimensions are in mm)

Valve Model	Valve Size		Flow Factor Kv m <sup>3</sup> /hr	A	F	B	C	D	E	Weight (Approx)	
	MM	Inch		Screwed	Flanged	(Approx)	(Approx)			S/E	F/E
ISD - 6	6	1/4"	2.5	65	130	122	170	53	44.5	0.825	1.500
ISD - 10	10	3/8"	2.5	65	130	122	170	53	44.5	0.800	1.450
ISD - 15	15	1/2"	3.5	65	130	122	170	53	44.5	0.760	1.400
ISD - 20	20	3/4"	5.0	80	150	130	180	74	49.5	1.100	1.880
ISD - 25	25	1"	11.0	95	160	148	200	77	54	1.500	2.270
ISD - 32	32	1.1/4"	13.0	121.5	180	159	212	98	58.5	2.340	6.160
ISD - 40	40	1.1/2"	20.0	121.5	200	159	212	98	63.5	2.250	6.160
ISD - 50	50	2"	38.0	140	230	178	225	116	76.5	3.350	6.500
ISD - 65	65	2.1/2"	67.6	172	290	198	230	116	89	4.030	9.350
ISD - 80	80	3"	97.6	195	310	235	260	160	95	5.970	12.200
ISD - 100	100	4"	-	302	350	280	318	160	114	13.500	22.850
ISD - 150	150	6"	-	344	482.5	-	-	-	-	30.300	50.100