

High Pressure Ball Valve

WOG 3000



"Cair" offers ISO 5211 Standard Pneumatic Actuator as well Manual Hand Lever Operated Low Torque High Pressure Ball Valve.

Size Range : 1/2" to 2" Screwed [Female BSP / NPT]

Actuator

Technical Specifications :

| | |
|----------------------|---|
| Type | Rack and Pinion Type |
| Actuation | Double Acting / Single Acting (Spring Return) |
| Mounting Std. | ISO 5211 An International Standard |
| Pneumatic Connection | NAMUR Standard |

For more details please refer Catalogue APL / 1001

Ball Valve

Technical Specifications :

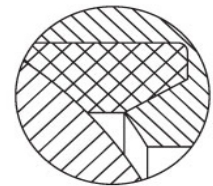
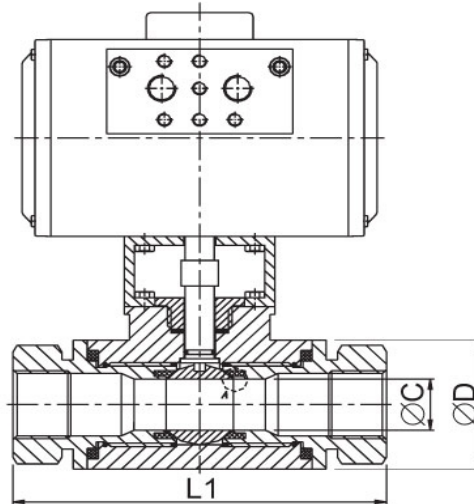
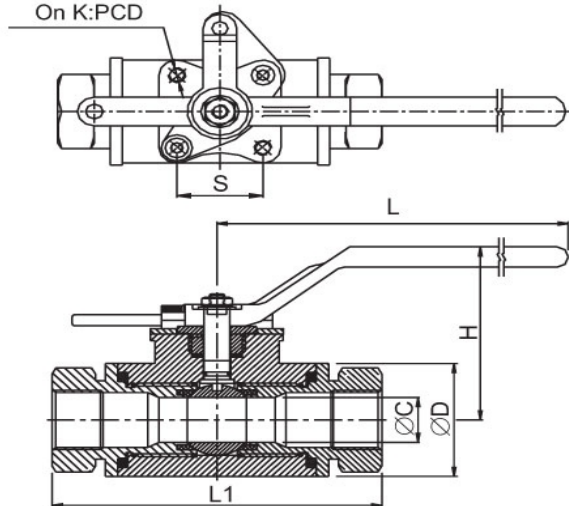
| | |
|----------------|--|
| Body | ASTM A216 Gr. WCB / ASTM A351 Gr. CF8 / CF8M |
| Ball | Stainless Steel AISI 304 / 316 |
| Steam | Stainless Steel AISI 304 / AISI 316 |
| Gland | Stainless Steel AISI 304 / AISI 316 |
| Seat Packing | PTFE / 35% Carbon Filled PTFE |
| Gland Packing | Grafoil / Graphite / PTFE |
| Pressure | 200 Kgs (3000 WOG) |
| End Connection | Screwed to - BSP / NPT, Socket Weld Ends |



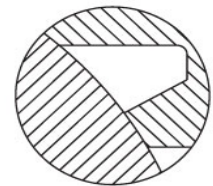
| Item | Type of Test | Testing Pressure | Working Pressure |
|------------------------|--------------|------------------|------------------|
| Valve Body Screwed End | Hydraulic | 300 Kg | 200 Kg |

Note : Also Available Electrical Actuator Operated Ball Valve

∅J, N Nos. Holes
On K:PCD



Before Fire



After Fire

Detail 'A'

Dimensions :

(All Dimensions are in mm)

| Valve Model | Size | | L | L1 | H | ∅C | ∅D | S | ∅J | N | PCD | Weight Manual | Weight With Actuator |
|-------------|------|--------|-----|-----|-----|------|------|-------|--------|---|------|---------------|----------------------|
| | MM | Inch | | | | | | | | | | | |
| WOG - 15 | 15 | 1/2" | 165 | 98 | 75 | 12.7 | 39 | 25.4 | M5X0.8 | 4 | 36 | 1.330 | 2.530 |
| WOG - 20 | 20 | 3/4" | 205 | 108 | 90 | 17.5 | 48 | 31 | M6X1 | 4 | 42 | 1.440 | 3.440 |
| WOG - 25 | 25 | 1" | 205 | 108 | 96 | 22.3 | 55.5 | 31 | M6X1 | 4 | 42 | 2.100 | 4.100 |
| WOG - 32 | 32 | 1.1/4" | 255 | 133 | 124 | 31.8 | 76.5 | 35.3 | M6X1 | 4 | 51.5 | 4.850 | 8.150 |
| WOG - 40 | 40 | 1.1/2" | 260 | 133 | 124 | 31.8 | 76.5 | 35.3 | M6X1 | 4 | 51.5 | 4.850 | 8.150 |
| WOG - 50 | 50 | 2" | 260 | 159 | 125 | 38.1 | 89.5 | 35.36 | M6X1 | 4 | 51.5 | 4.850 | 8.150 |