

Catalogue No.

**APL / 1082**

**ISO 5211 Pneumatic Actuator Operated  
Alluminium Pressure Die Cast Butterfly Valve**



"aira" offers ISO 5211 Standard Pneumatic Rotary Actuator Operated "Aluminum Body 316 Disc" KITZ Butterfly Valve with EPDM Rubber 10 Kg/Cm<sup>2</sup>

**Size Range : 1½" To 8"**

**Actuator**

**Technical Specifications :**

Type	Rack and Pinion Type
Actuation	Double Acting / Single Acting (Spring Return)
Mounting Std.	ISO 5211 An International Standard
Pneumatic Connections	NAMUR Standard

For more details please refer Catalogue APL / 1076

**Butterfly Valve**

**Technical Specifications :**

Body	Aluminum
Disc	CF8M
Stem	AISI 410 / AISI 304
Shaft	AISI 410 / AISI 304
Seat	EPDM
Mfg. Std.	BS 5155
Insp. & Test. Std.	BS 6755 / BS 5155
Ends	Wafer Type to suit ANSI B 16.5 (150#)
Valve Rating	PN 10
Body Pressure	225 Psig
Seat Pressure	165 Psig
Temperature	140°C

**Standards :**

- Design and manufacturing : API 609 category A/BS 5155 / MSS SP-67 / C-504
- Valve face to face dimensions : Short wafer as per ISO 5752 Tab 5 API 609 Category A
- Top flanged drilling : ISO 5211 II
- Inspection and testing : API 598 / BS 6755 / FCI - 702
- Flanged standard conformity : ANSI 150, DIN PN6 / 16

Item	Type of Test	Testing Pressure	Working Pressure	Operating Temperature (High)
Actuator	Pneumatic Bubble Test	180 PSIG	45 To 150 PSIG	-20 °C to 80 °C (High Temp. on request)
Valve Body	Hydraulic	225 PSIG	150 PSIG	Max.200 °C
Seat	Hydraulic	150 PSIG	150 PSIG	Max.200 °C
Seat	Pneumatic	105 PSIG	150 PSIG	Max.200 °C

**Dimensions :**

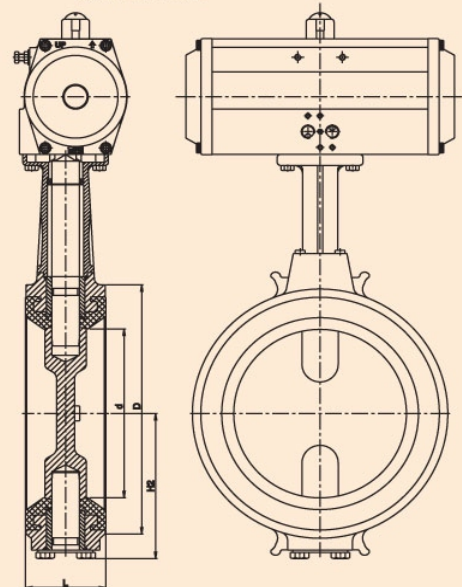
(All dimensions are in MM)

Valve Model	Valve Size		d	H2	L	D	C	
	MM	Inch					10K	Class 150
KITZ - 40	40	1.1/2"	40	60	33	78	105	-
KITZ - 50	50	2"	50	66	43	93	120	120.5
KITZ - 65	65	2.1/2"	65	74	46	118	140	139.5
KITZ - 80	80	3"	80	83	46	129	150	152.5
KITZ - 100	100	4"	100	94	52	149	175	190.5
KITZ - 125	125	5"	125	122	56	184	210	216
KITZ - 150	150	6"	150	135	56	214	240	241.5
KITZ - 200	200	8"	196	161	60	259	-	298.5



**Accessories :**

- On / Off Indicator
- NAMUR Standard Solenoid Valve in all Standard Coil
- Voltage (Flame Proof Solenoid Coil on request)
- I/P Transducer (Converter)
- Pneumatic valve positioner
- Electro-Pneumatic valve positioner
- Declutchable Manual Over - ride
- Limit Switches for On / Off Indication at Panel board
- Filter + Regulator Combination with Pressure Gauge
- Air Lock Valve



Note : Since, constant worldwide advancement in technology, we keep our rights reserved to make changes time to time in Technical specifications and Dimensions without prior notice.  
Pub. on: June, 2011 (Rev.-08)